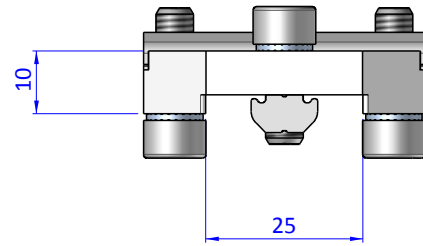
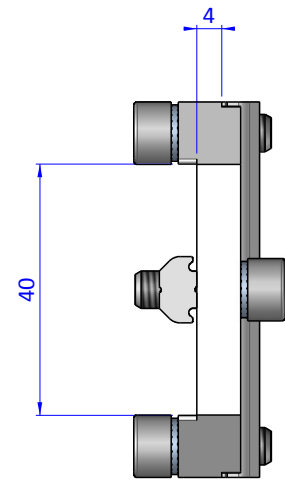
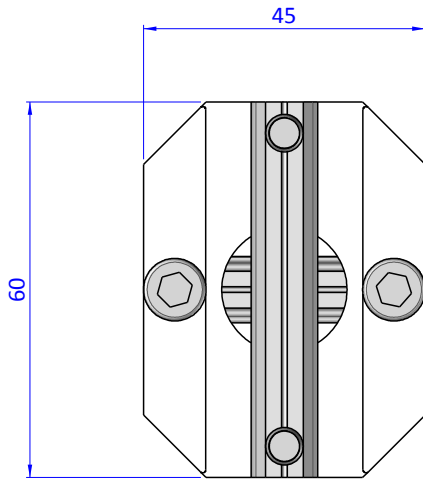
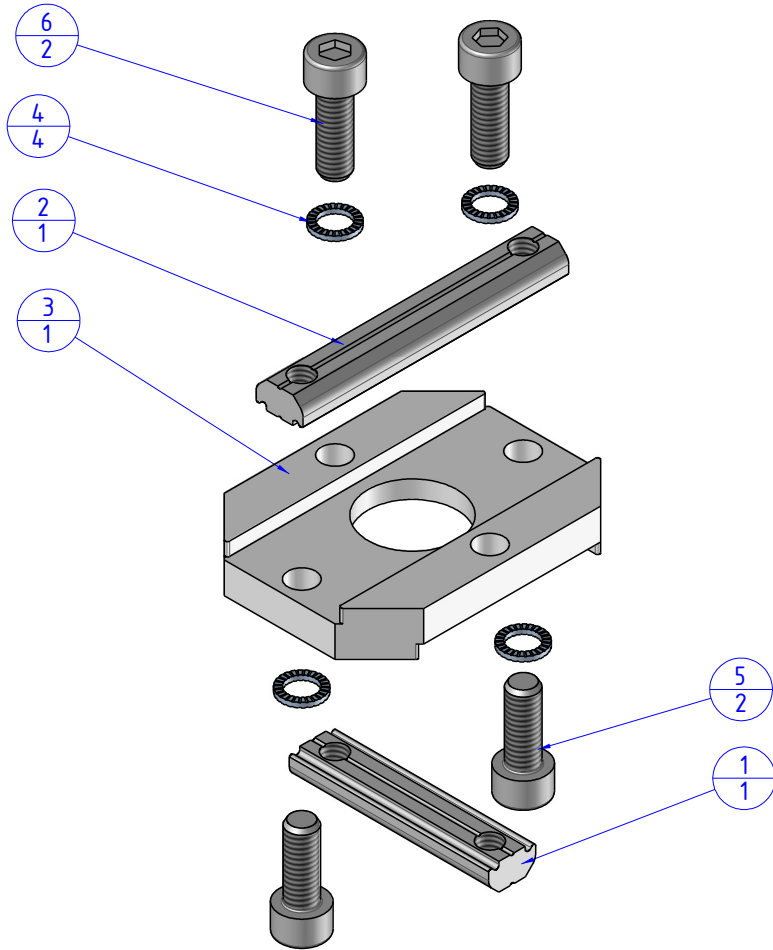


THE PROPERTY OF THE DRAWING IS ESTABLISHED BY LAW. IT IS FORBIDDEN TO PRODUCE OR SHOW IT TO THIRD PARTY, WITHOUT A WRITTEN AGREEMENT.

Item	Name	Q. ty
1	CA.GWP.6.35	1
2	CA.GWP.6.50	1
3	KPLJU.4025	1
4	R.6.SCH	4
5	V.TCE6x16	2
6	V.TCE6x18	2



Format A3

UNI 936-76

		DESIGNED FROM	REVIEW
		FP SERVICES	A
		DATE	WEIGHT
		30/04/2016	0,077kg
GENERAL TOLERANCE UNI - ISO 2768 CLASSE f		DESCRIPTION CA.KPLJU.4025	
		CODE CA.KPLJU.4025	